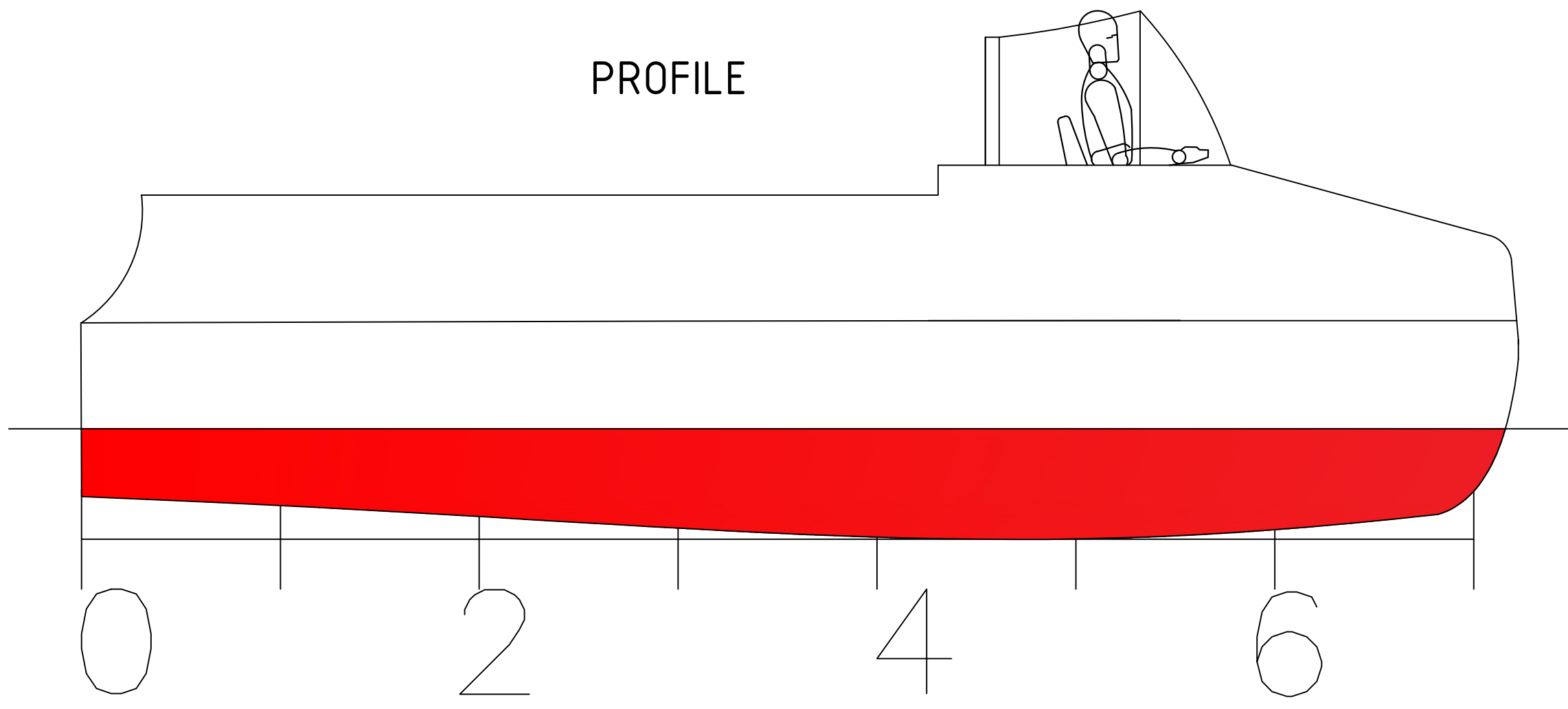
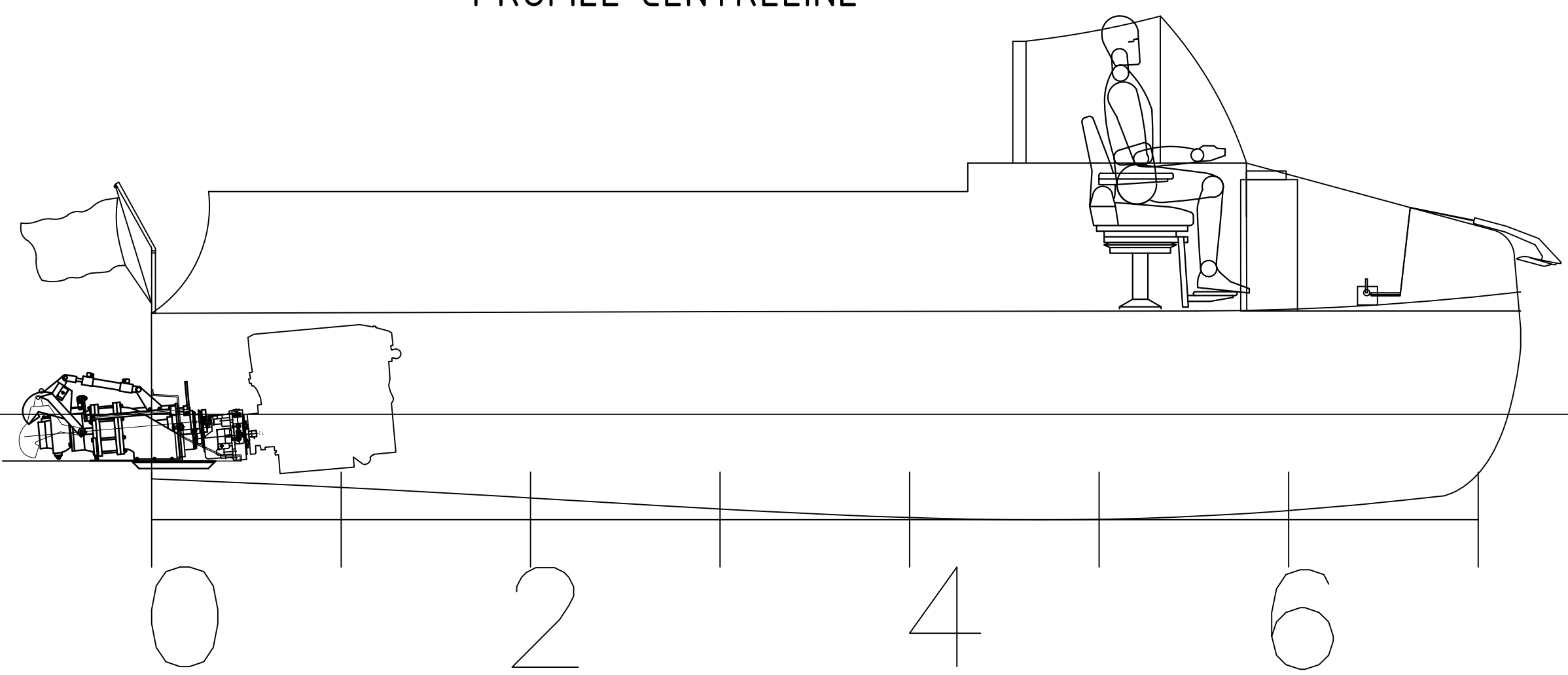


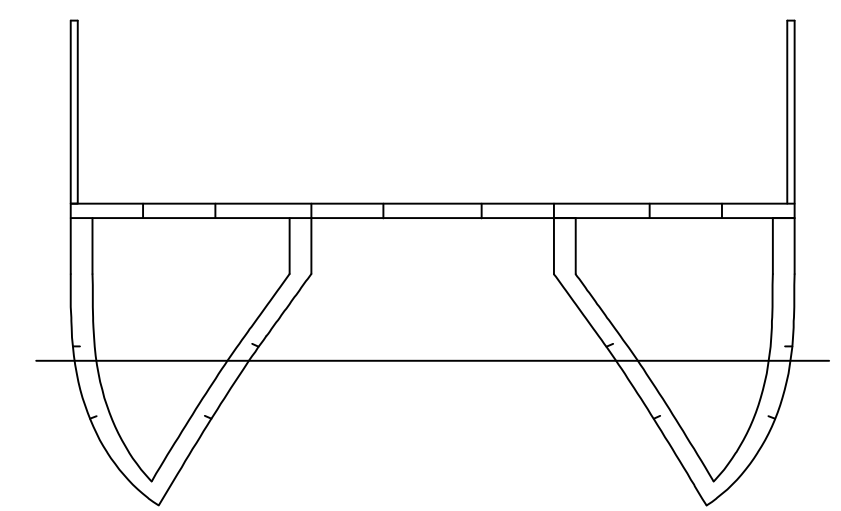
PROFILE



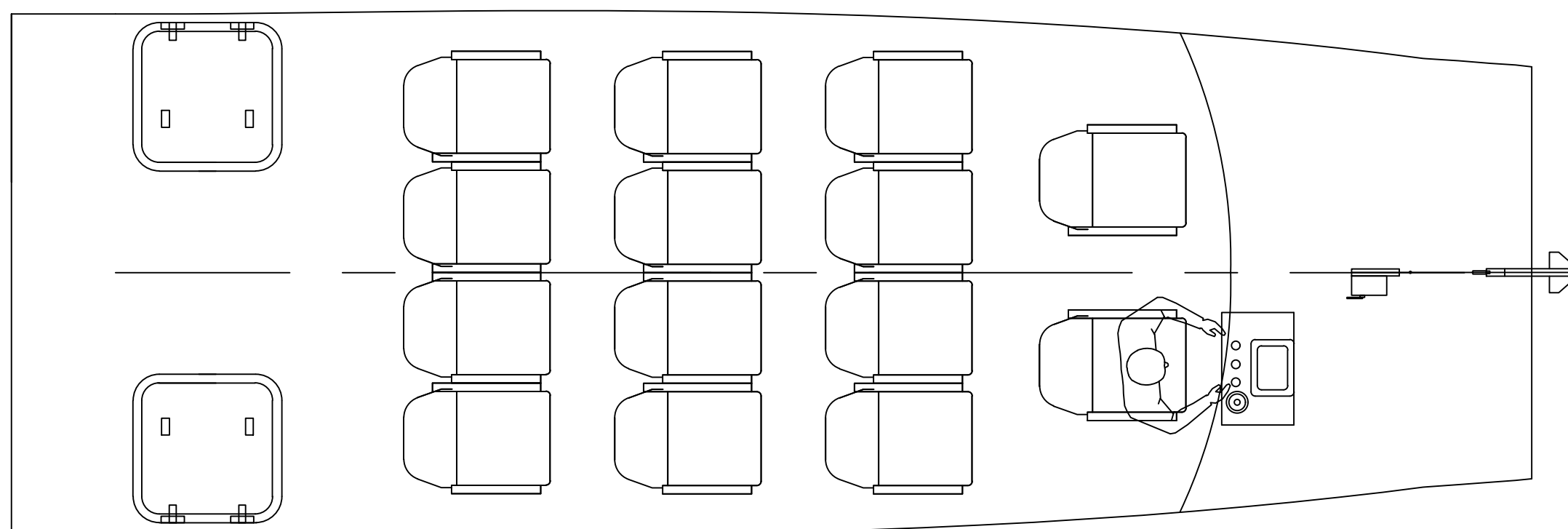
PROFILE CENTRELINE



STRUCTURE MIDSHIP FR3

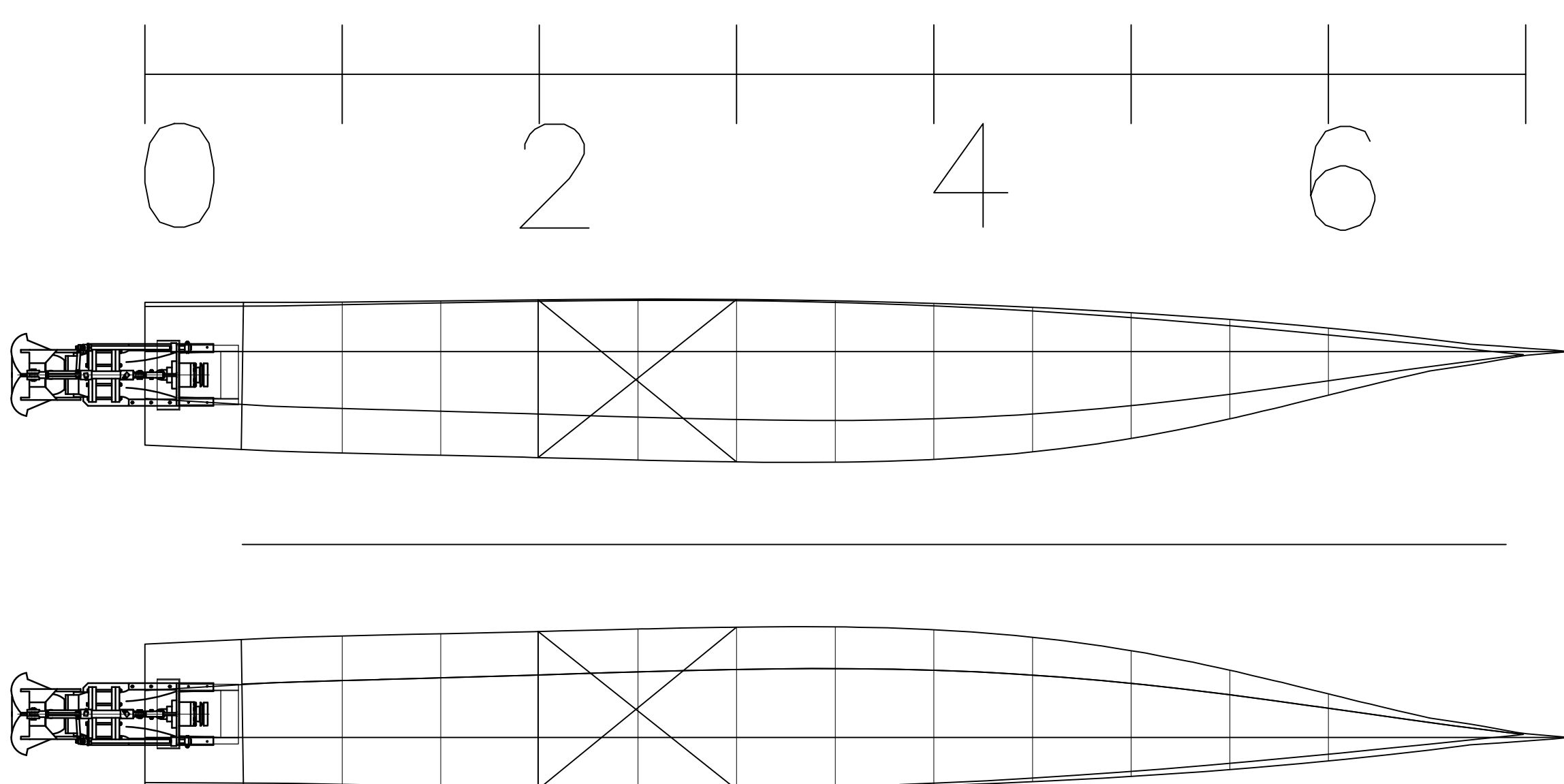


MAIN DECK



Principal particulars

- Length 7.0m
- Beam 2,5m
- Draft 0,5m
- Power 2 x 85KW
- Propulsion Doen DJ85 Waterjets
- Speed 25+ knots



0	21/09/17	In progress	MOC	MOC	FOR INFO.
Rev.	Date	Modifications	Drawn by	Approved by	Status
<small>This drawing is the property of NAVICULUS and can not be used, copied or transmitted in any form without permission from NAVICULUS</small>					
NAVICULUS <i>Marine transport solutions</i>					
NAVCAT 7m Crewboat			Class number: -----		
GA			Scale: 1/25	Page: 1/1	A1
			NAVCAT Crewboat 10-1000		