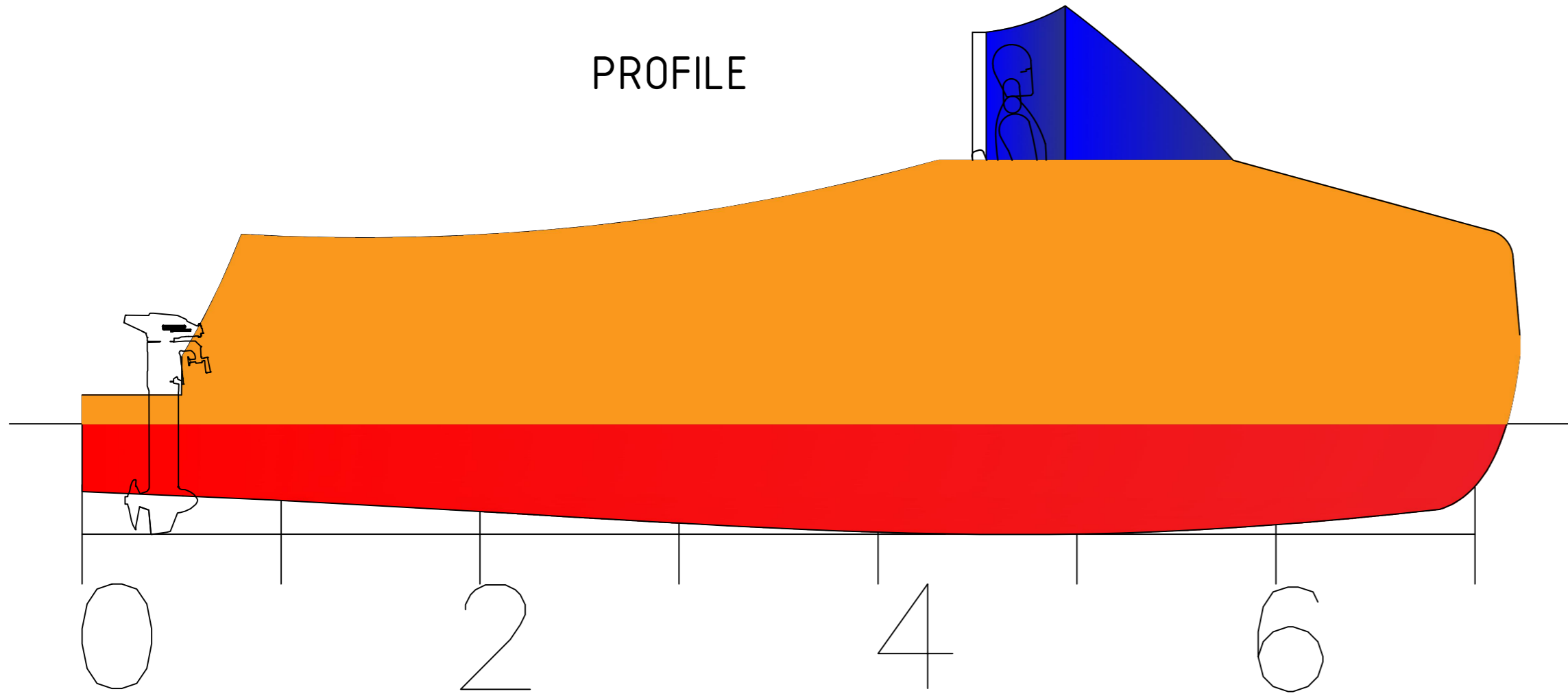
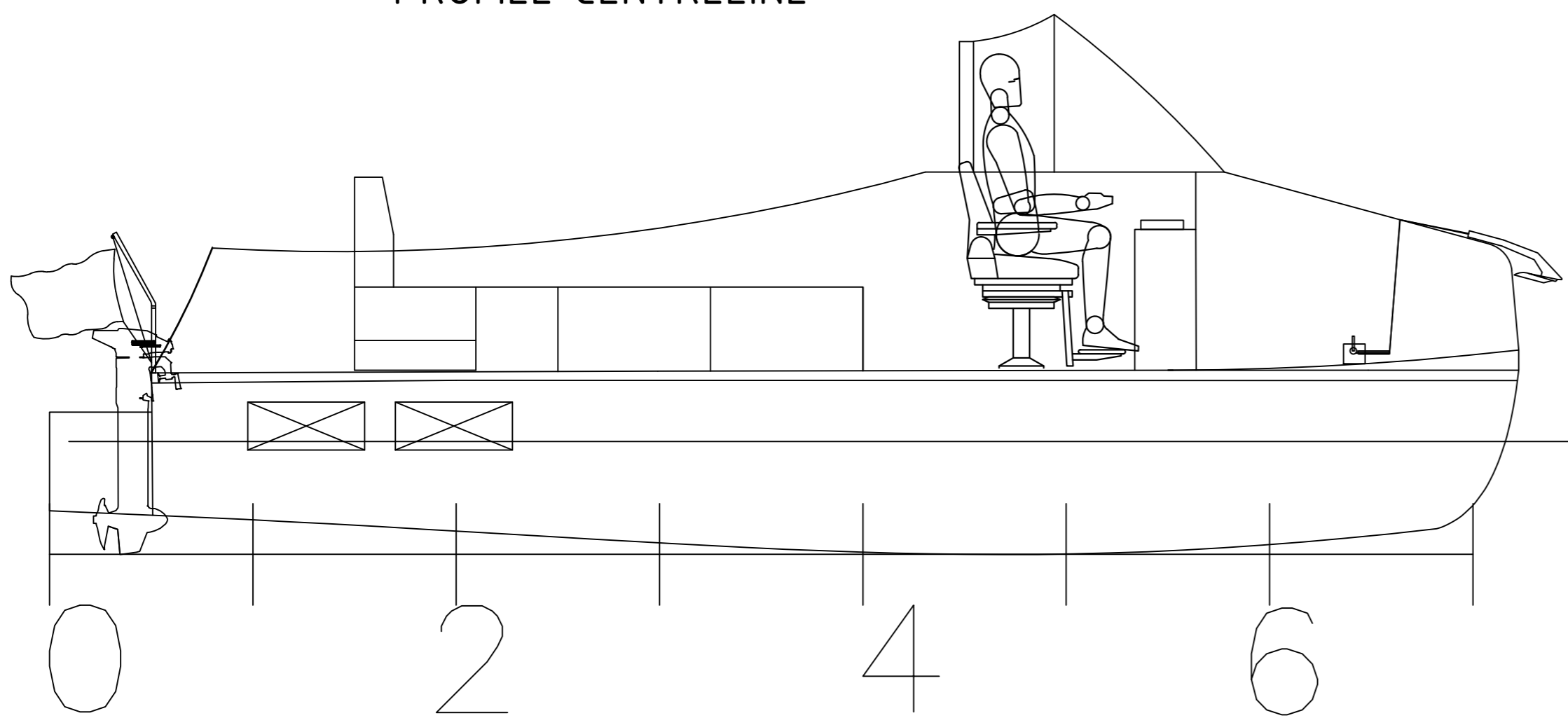


# 7m Dayboat General Arrangement

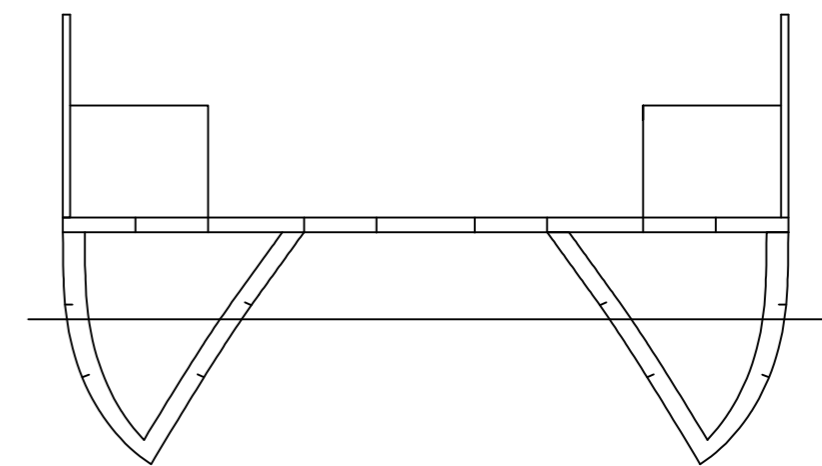
PROFILE



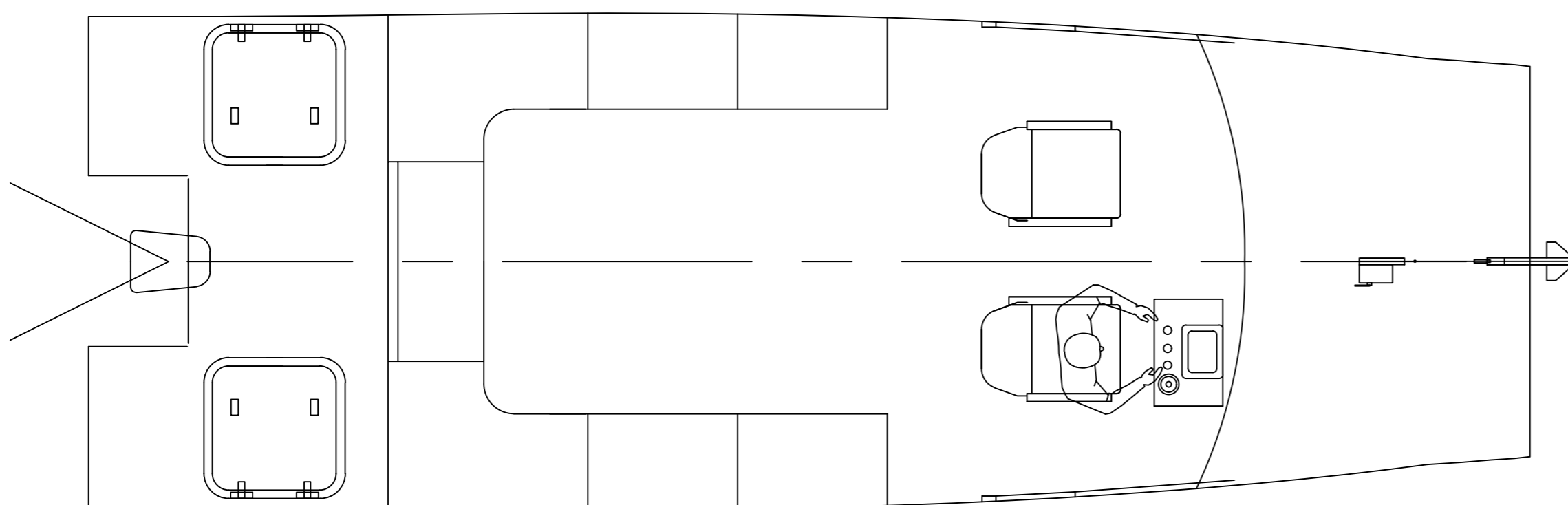
PROFILE CENTRELINE



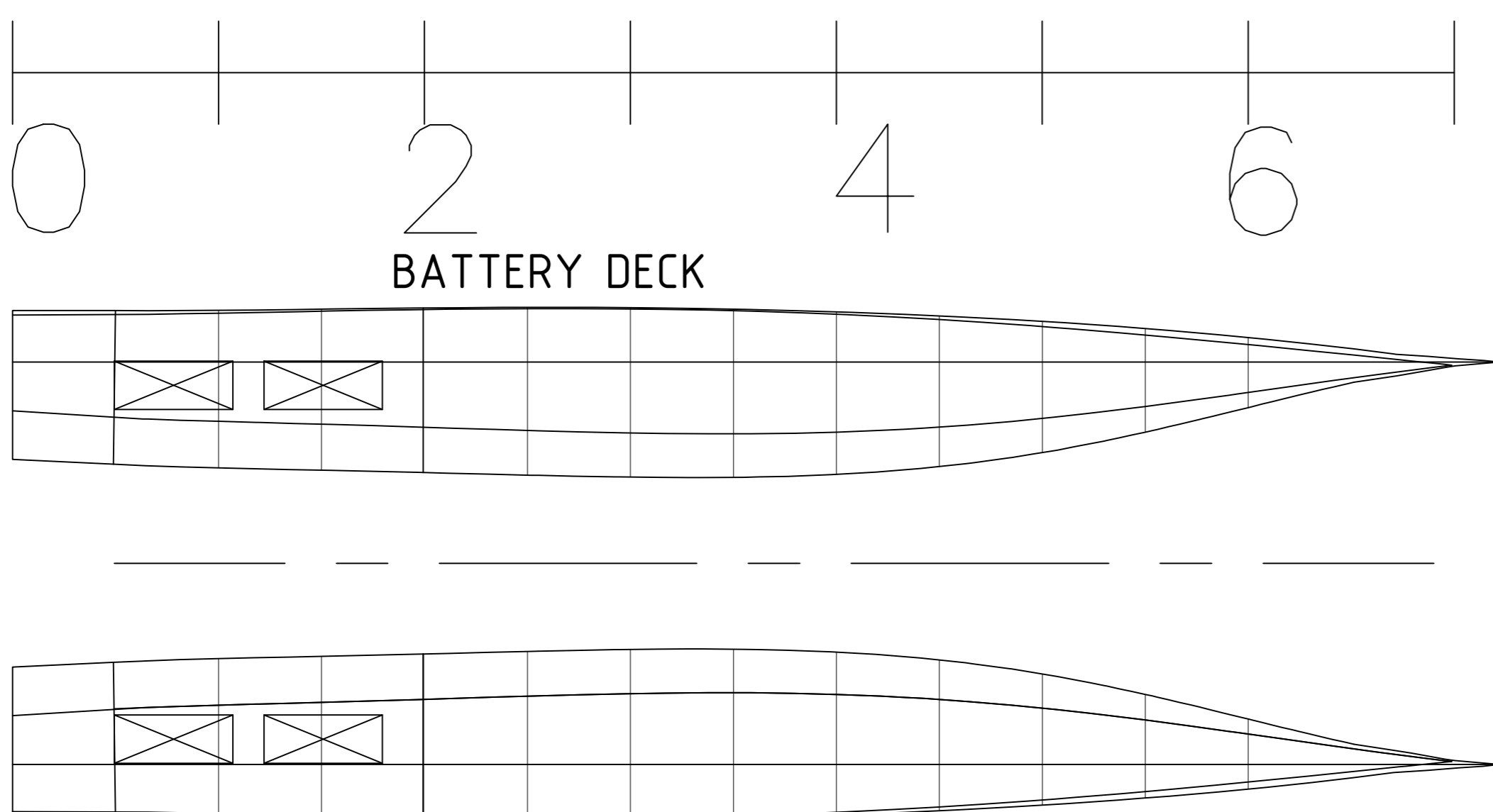
STRUCTURE MIDSHIP FR3



MAIN DECK




BATTERY DECK



## Principal particulars

Length	7.0m
Beam	2,5m
Draft	0,5m
Power	10.8 Kwh
Propulsion	Torqueedo Cruise 4R
Batteries	4 x 26-104(lithium)
Range	80km@5km/h - 16h

0	27/06/17	In progress	MOC	MOC	PDR INFO.
Rev.	Date	Modifications	Drawn by	Approved by	Status
<small>This drawing is the property of NAVICULUS and can not be used, copied or transmitted in any form without permission from NAVICULUS</small>					
 Marine transport solutions			Class number: -----		
			NAVCAT 7m Dayboat	Scale: 1/25	Page: 1/1
GA			NAVCAT TAXI 10-1000 0		